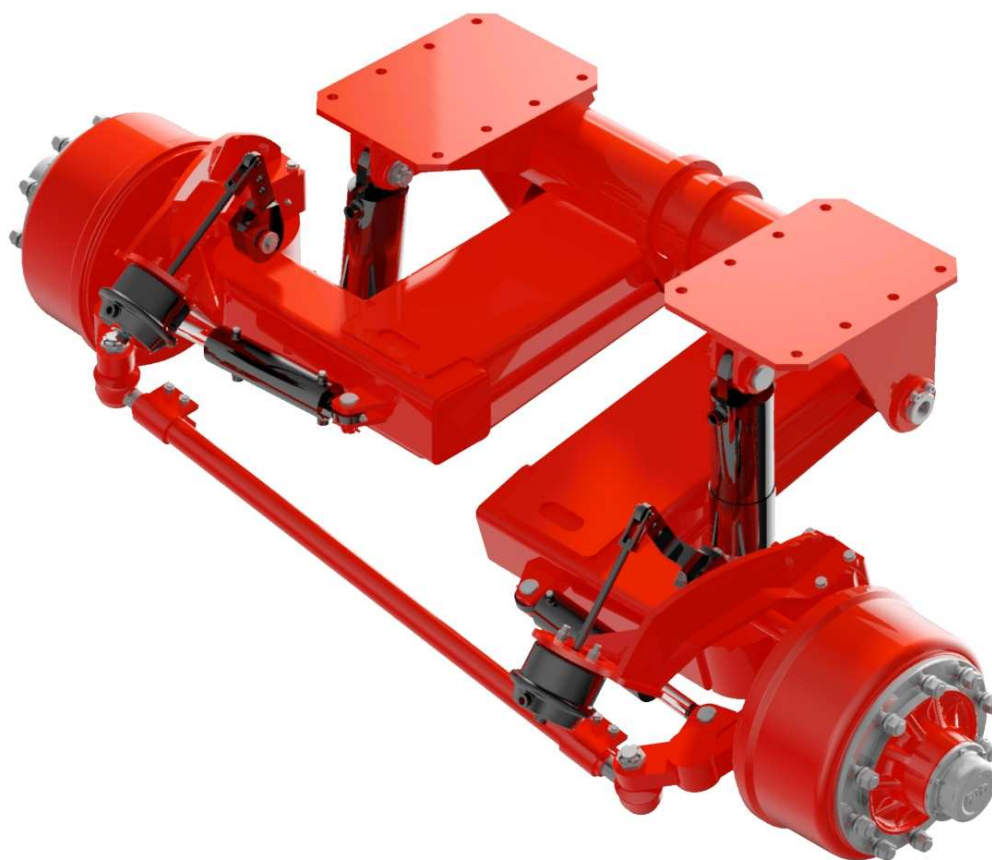


FAD ASSALI s.p.a. &



SIDRA®



Tornata per Voi



SIDRA[®]

The 'first' suspension patented in 2005 (more than 2000 pcs sold in over 40 countries)

- ✓ **Self carrying**
- ✓ **Independent Wheels (stub axles)**
- ✓ **Easier and faster mounting**
- ✓ **Smart storage**
- ✓ **The strongest brake of the Market (412x160 is stronger than industrial 420x180)**
- ✓ **The strongest Hinge of the Market (with up 14,6 Ton Carrying capacity per axle)**



Hydraulic Suspension **SIDRA**®



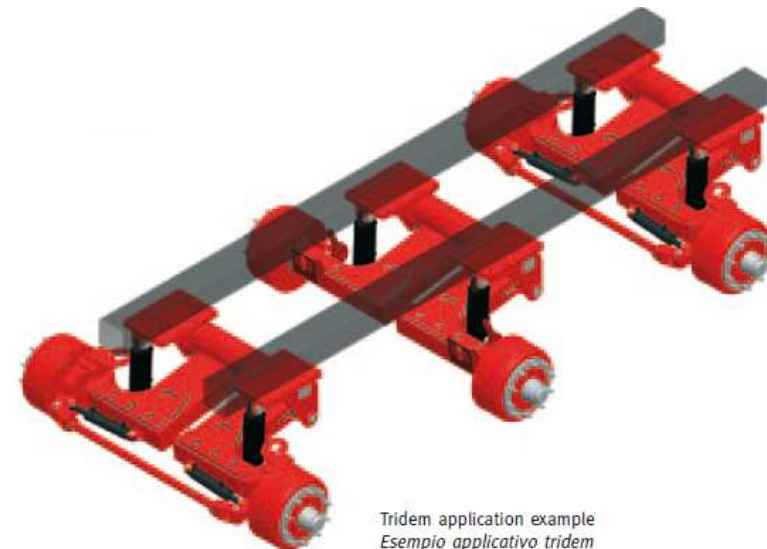
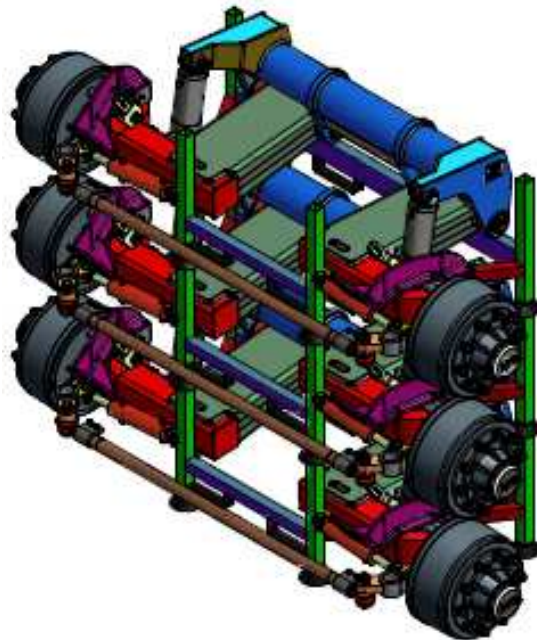
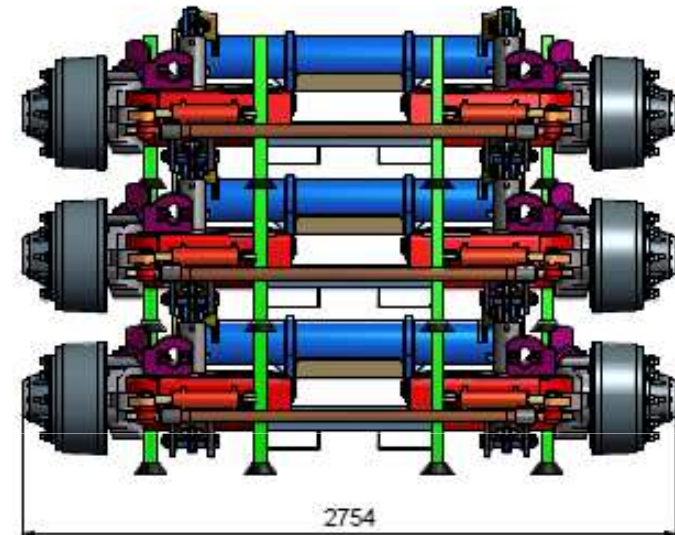
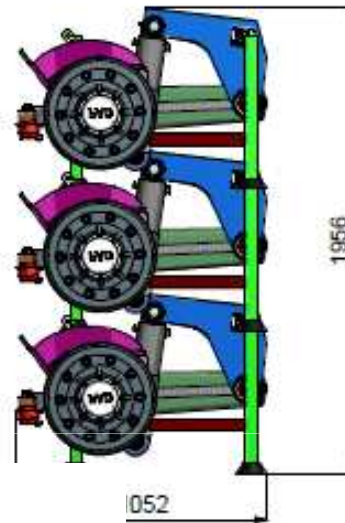
- AG & Forest Trailers
- Innovative ideas for tandem and tridem trailers
- With & without brake
- Omologations: TÜV, CEMAGREF, 98/12/CE

SMART STORAGE SYSTEM

MODULI SIDRA 14000 C.2500
IN TRANSPORT BOX

SIDRA 14000 C=2500
BRAKE 412Gx160

TOTAL WEIGHT OF LOAD
KG. 3.300,00 (SELF STEERING OR
FORCED STEERING)
KG. 2.700,00 (FIXED)



Tridem application example
Esempio applicativo tridem

